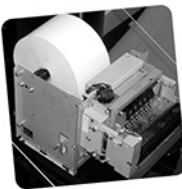


Gallery

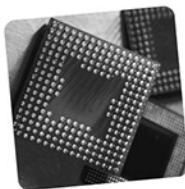
The **Gallery** is a stylish large format kiosk solution. Designed to attract users, the kiosk maintains an elegant design in it's deployed environment. The premium ultra-high resolution 32 inch display allows for easy viewing of pictures and text - from any angle.

The **Gallery** kiosk is ideally suited for wayfinding, product ordering or any situation which requires you to confidently present your company message. For permanent installations the **Gallery** can be bolted to the floor for added stability and security with the power and data cords directed through the base.

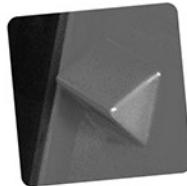
The **Gallery** has a wide range of optional extras and endless branding opportunities.



Optional
Receipt
Printer



High
Resolution
LCD panel



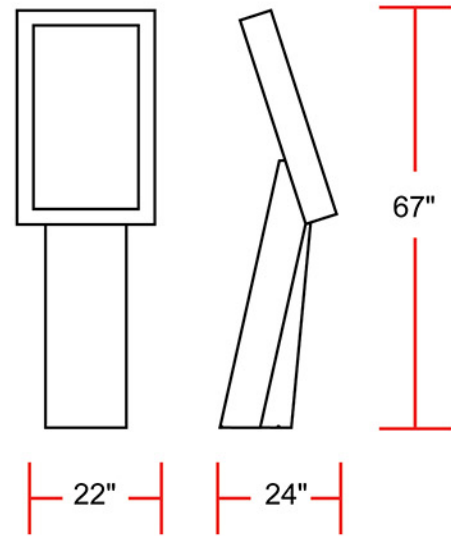
High quality
Automotive
paint finish

Touchmate Inc.
Suite 100, 7703 North Lamar Boulevard,
Austin, TX, 78752
www.touchmateUSA.com

512 949 3330 Phone
866 552 5426 fax

Gallery specifications:

- Display:** 32-inch LCD LED Backlight 16:9 1920 X 1080 Full HD or Surface Acoustic Wave Touch Technology, UL60950 Compliant Intel i5 Quad-core 3.1GHz Processor with 6MB Cache
- Computer:** 4GB Memory (standard), expandable to 16GB DDR3 500GB Fixed Disk Drive & DVD Reader/Writer Ethernet Gigabit Network Interface and 802.11 a/b/g/n Wireless Network standard 10 USB Ports (6 USB 2.0, 4 USB 3.0)
- Sound:** Stereo 4-inch Front-mounted Speakers 8-watts RMS per channel, Two Channel Amplifier

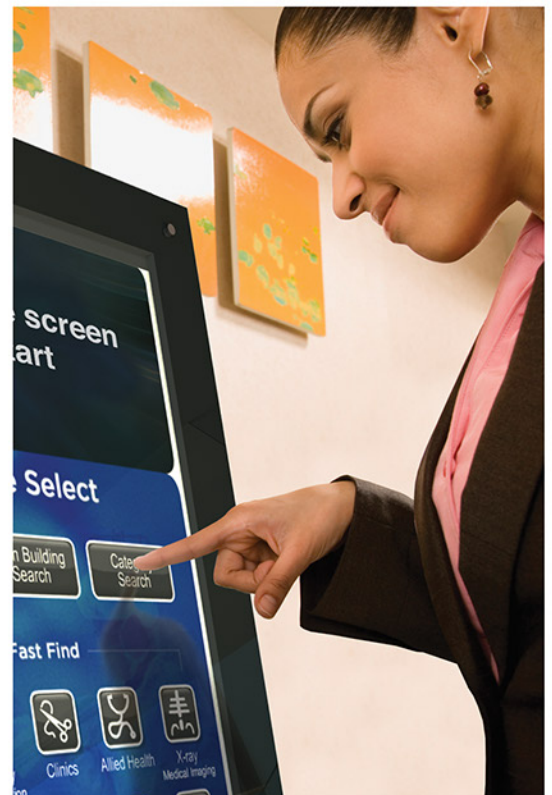


Options:

- **Printers:**
Star Micronics TUP 900 Thermal Printer with Presenter, 80mm or 112mm Media width, 6-inch Roll standard, intelligent controller monitoring printer health, paper status, low paper warning

Other printers available for 80mm receipt printing, 8 1/2 X 11 Paper, and card-stock Ticket printing

Custom VKP80 Thermal Printer, 80mm Media width, 6-inch Roll standard, paper status, low paper warning
- **Credit Card Readers:**
Swipe-style magnetic stripe reader (either non-encoded or encrypted type), 2 or 3-track mode Insert-style magnetic stripe reader is also available
- **Bar Code Reader:**
Datalogic Imaging 1D/2D Bar Code Reader, capable of reading codes from cell phone screens
- **EMV terminals:**
A wide range of EMV certified terminals - please enquire about your bank specific requirement.



United States

Touchmate Inc.
7703 North Lamar Boulevard, Suite 100, Austin, TX, 78752
512 949 3330 Phone 866 552 5426 fax
Web: www.touchmateUSA.com
info@touchmateUSA.com

Australia - New Zealand

Touchmate Solutions
4/8 Bult drive, Brendale, Qld, 4500,
07 3889 6031 Phone 07 3889 6028 fax
Web: www.touchmate.com.au
sales@touchmate.com.au