

Premier

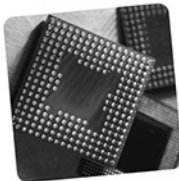
The **Premier** is a stylish, mid-sized kiosk solution. Designed to attract users, this kiosk maintains its elegant good looks in any environment. The premium ultra-high resolution 22 inch display allows for easy viewing of pictures and text, from any angle.

Ideally suited for wayfinding, product ordering, visitor check-in, and any application where self-service and instant-information is key to your business, the **Premier** keeps your business operating in style. For permanent installations the **Premier** can be bolted to the floor for added stability and security with the power and data cords directed through the base.

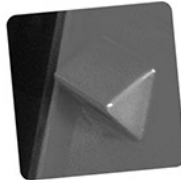
From printers to card readers, bar code scanners and EMV terminals, you have the ability to tailor this kiosk to fit your exact needs. And because you can choose from a nearly limitless selection of colors and graphics wraps, this kiosk truly reflects your business's image.



Optional
Receipt
Printer



High
Resolution
LCD panel



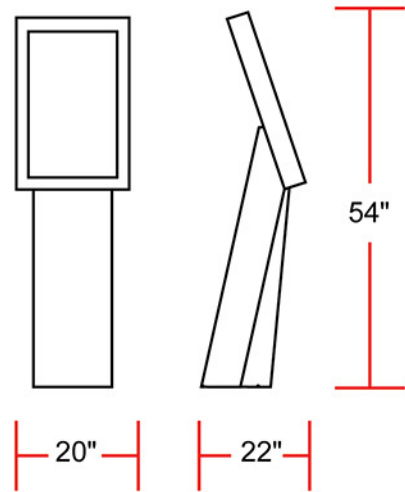
Optional
Peripheral
side pod

TouchMate Inc.
7703 North Lamar Boulevard, Suite 100
Austin, TX 78752
www.TouchMateUSA.com

512 949 3330 Phone
866 552 5426 fax

Premier specifications:

Display:	22" LCD - LED Backlight 16:9 (Portrait) 1020 x 1980 Full HD
Touch technology:	Projected Capacitive Touch
Processor:	Intel i5 6th Generation Core with vPRO (Intel i7 Optional)
Memory:	4 GB DDR4 standard, up to 32 GB optional
Ports:	6 USB 3.0 Ports, 1 USB Type C Port
Video Ports:	1 VGA Port, 1 Display Port, 1 HDMI Port
Storage:	128GB SSD
Operating System:	Win Embedded 7 Pro (64 bit) or Win 10 IoT Enterprise 64 bit
Network/Ethernet:	Intel i219M Gigabit Network Port
WiFi:	802.11 a/b/g/n Wireless Network (Optional)
Weight:	99 lbs/45 kgs



Additional options:

• Printers:

- Boca Lemur-Z 80mm Thermal Printer, 660 ft capacity rolls, with Presenter
- Boca Lemur-X Ticket Stock Printer
- Custom Automation VKP-80-II Thermal Printer, 660 ft capacity rolls

• Credit Card Readers:

Insert type Mag Stripe Reader (Encrypted or Open)

• EMV:

Pad ready with PCI-compliant mount (Variety of models – optional)

• Bar Code Scanner:

Imaging 1D/2D Bar Code Reader, capable of reading codes from cell phone screens



United States

TouchMate Inc.

7703 North Lamar Boulevard, Suite 100, Austin, TX 78752
 512 949 3330 Phone 866 552 5426 fax
 Web: www.touchmateUSA.com
 info@TouchMateUSA.com

Australia - New Zealand

TouchMate

4/8 Bult drive, Brendale, Qld, 4500,
 07 3889 6031 Phone
 Web: www.touchmate.com.au
 sales@TouchMate.com.au

